

User Manual

TouchSelect

USB Touch Panel Interfaces

TS04-USB, TS09-USB, TS22-USB



Ascentic[®]
RETAIL ENGINEERING
by Audio Authority[®]

Introduction

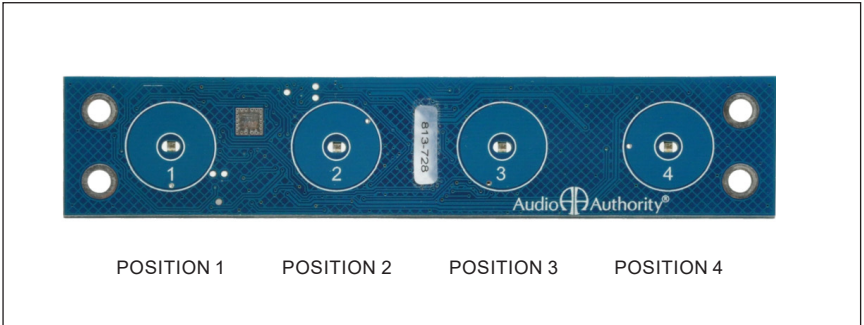
The Audio Authority® TouchSelect USB series offers flexible solutions for any interactive display. TouchSelect panels come in three configurations: 4 position (TS04-USB), 9 position (TS09-USB), and 22 position (TS22-USB). The TouchSelect RS-485 series offers the same configurations with different features. A compatible USB device such as a switch module or media player can be programmed to respond to TouchSelect panels.

Features

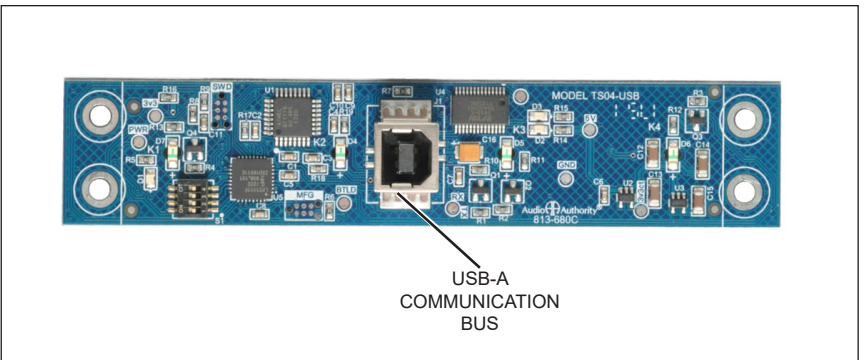
- Use only the locations you need on each panel.
- Use any non-conductive material for graphic overlay.
- Bright blue LEDs shine through many overlay materials.
- The connected player or switching device interprets each position connected.



COMPATIBLE WITH
BRIGHTSIGN® MEDIA
PLAYERS



TS04 FRONT



TS04 REAR

USB-A Communication

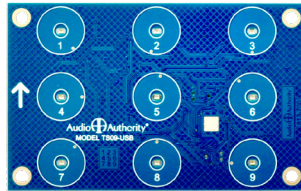
The TouchSelect USB series communicates via a standard USB connection. Any of the TouchSelect control panels may be connected to a compatible device such as a BrightSign player or Ascentic MediaHub. When touched, the TouchSelect panel transmits the touch location and its address over the bus. Any USB-A capable device can be programmed to respond to these messages, enabling player controls and switching activity.

USB Serial Command List

Command	Arguments	Example
[PRESS_#]	[PRESS_[POSITION]]	[PRESS_1]
[RELEASED]	[RELEASED]	[RELEASED]
[BLINK_#]	[BLINK_[POSITION]] or [BLINK_[POSITION1],[POSITION2], ...]	[BLINK_3,5,6]
[LEDON_#]	[LEDON_[POSITION]] or [LEDON_[POSITION1],[POSITION2], ...]	[LEDON_1,3,7]
[LEDOFF_#]	[LEDOFF_[POSITION]] or [LEDOFF_[POSITION1],[POSITION2], ...]	[LEDOFF_3]
[LEDALLOFF]	none	[LEDALLOFF]

Installation

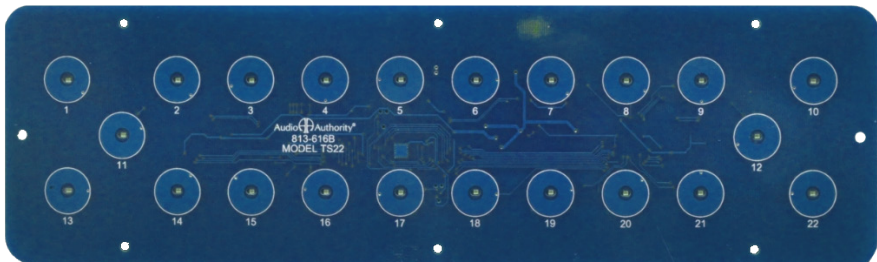
- Connect USB cable from touch panel to switcher.
- Attach the touch panel to the fixture.
- Affix the overlay to the surface of the touch panel.
- Touch each position to validate programmed commands.



TS09 (HxWxD, inches): 2.5 x 4 x 1



TS04 (HxWxD, inches): 1 x 5 x 1



TS22 (HxWxD, inches): 3.5 x 11.75 x 1

TS04-USB Example System:

- A touch panel controls volume and plays video tracks.
- Start a demo by touching “Play Next” and adjust volume by touching “Volume” keys.
- Touch panels connect via USB to the MH6-4K MediaHub

